

GW-208L-208LL-Short-BK SHORTING CAP

OVERVIEW

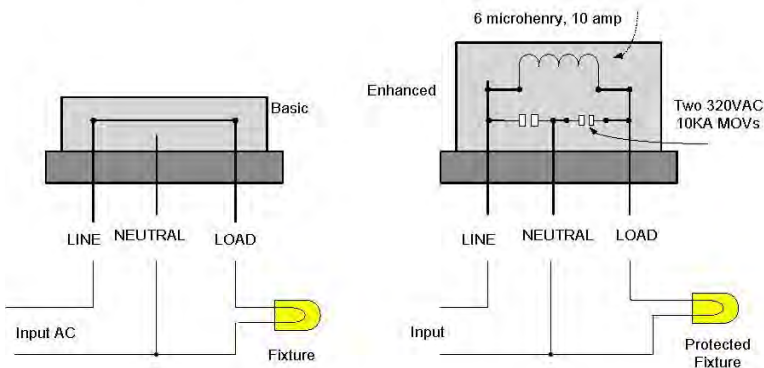
The GW-208 series shorting caps are designed for long life, making them an excellent choice for LED, conventional and electronic HID, and induction luminaires. Optional internal surge protection helps protect LED luminaires.

FEATURES

- Black cover is standard -- other colors optional
- Meets ANSI C136.10
- High-impact, polybutylene terephthalate base
- IP67 intrusion protection
- UV-stabilized, polycarbonate cover
- 3-inch diameter
- Maximum capacity: 15A
- Rated voltage: 0 - 480VAC
- Ambient temperature: -40 - +70° C



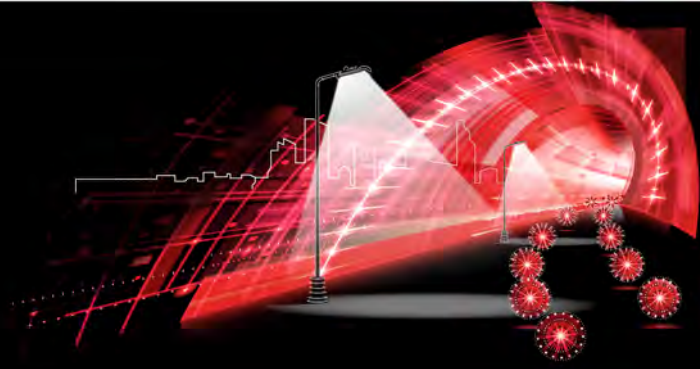
Standard shorting cap versus shorting cap with surge protection.



DESCRIPTION

Our design includes two MOVs and an inductor, providing differential mode surge protection. The first MOV is line-to-neutral, the same as in a photocontrol, and clamps the voltage to about 1100 Vpeak with a 10,000 amp surge. The inductor helps reduce high frequency surges. Selection of the inductor value assumes a 100KHz ring waveform, adding resistance to a high-frequency surge (but only a few milliohms to 60 Hz), and will reduce the chance of surge damage to the driver. The second MOV limits any surges that are not clamped by the first MOV and inductor. This circuit will also reduce inrush current to the driver when it is switched ON (the exact amount depends on the design).

10/29/2018



GW-208L-Short-BK is a standard shorting cap with a black cover.

GW-208LL-Short-BK is a surge-protected, enhanced shorting cap with black cover.

SPECIFICATIONS -- GW-208 SERIES SHORTING CAP

1. **Shorting Cap** shall be a Locking Type (a.k.a. twist lock) and meet or exceed all requirements of ANSI C136.10 except as noted below.
2. **Shorting Cap** shall provide an always-connected current path between LINE and LOAD.
3. **Line voltage:** 0-480V.
4. **Load rating** shall be at 15 amps.
5. **Surge protection (optional):** Shall be in the form of two Metal Oxide Varistors (MOV) wired line to neutral. MOVs shall be rated a minimum of 320 joules and 10,000 amp each. A series inductor shall be included to mitigate surge let-thru. Finished cap shall not fail when subjected to 10 surges of 9500 amps applied at 1 minute intervals. Surge wave form as described in ANSI C136.10-2008 section on High Surge.
6. **Housing:** The housing of the shorting cap is black, opaque and of an impact- and UV-resistant material. The impact resistance of the housing is greater than 1.0 ft-lbs at -20°C.
7. **Drop test:** The Shorting Cap is capable of withstanding a drop of 3 feet to a concrete floor without causing damage to the housing or changing electrical operation.
8. **Markings:** The following appears on the shorting cap: month/year of manufacture, individual serial numbers, model description, operating voltage range and load rating.
9. **Environmental:** Control is RoHS compliant. It does not contain lead, cadmium, mercury or hexavalent chromium. Pigments in plastic parts do not contain bromine compounds or heavy metal pigments.
10. **Warranty:** 12 years, one for one replacement.
11. **Quality:** Manufacturer must be ISO or similar certified.

Model	GW-208L or GW-208LL
Rated Voltage	0-480VAC 50/60HZ
Max working current	15A
Dielectric withstanding voltage	3000VAC , 1s
Max working load	7200W 7200VA
Body measurement	Φ74×50mm
Weight (approx.)	51g